

**Modular Cooking Range Line
EVO900 Electric Induction
Wok - 400mm**

ITEM # _____

MODEL # _____

NAME # _____

SIS # _____

AIA # _____



**Modular Cooking Range Line
EVO900 Electric Induction Wok - 400mm**

392162 (Z9INEDW00P) Single induction wok (5 kW)

Short Form Specification

Item No. _____

Heavy duty glass ceramic wok bowl powered by a 5 kW inductor with overheating safety device. Induction top to maximize heat transfer to the food and reduce energy consumption in stand-by mode. Unit features Pan Detections system: inductor is activated only when an induction-friendly wok pan is placed on the bowl. Side and rear panels of unit entirely in AISI 304 stainless steel with Scotch Brite finish. Extra strength work top in heavy duty 2 mm AISI 304 stainless steel. Right-angled side edges to allow flush-fitting junction between units.

Main Features

- IPX5 water protection.
- Heavy duty glass-ceramic wok bowl
- 5kW inductor endowed with overheating safety device.
- High efficiency (up to 90%) induction heating system maximizes the heat transferred to the food and reduces energy consumption in stand-by mode.
- Reduced heat emission in the work environment.
- Pan detection system - the inductor is switched on only when an induction-friendly wok pan is placed on the bowl.

Construction

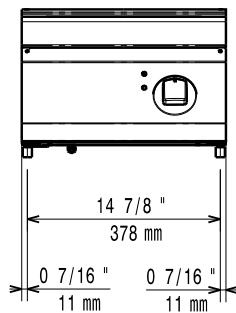
- Unit is 930 mm deep to give a larger working surface area.
- All exterior panels in Stainless Steel with Scotch Brite finishing.
- Model has right-angled side edges to allow flush fitting joints between units, eliminating gaps and possible dirt traps.
- Side and rear panel in AISI304 stainless steel.
- All the functional components are accessible via the front of the appliance.
- AISI 304 stainless steel worktop, 2mm thick.

Optional Accessories

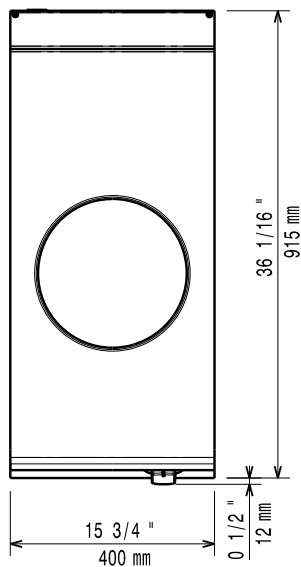
- 4 wheels, 2 swivelling with brake (EVO700/900). It is mandatory to install with base supports for feet/wheels. PNC 206135
- Water column with swivel arm (water column extension not included) PNC 206289
- Base support for feet or wheels - 400mm (EVO700/900) PNC 206366

APPROVAL: _____

Front

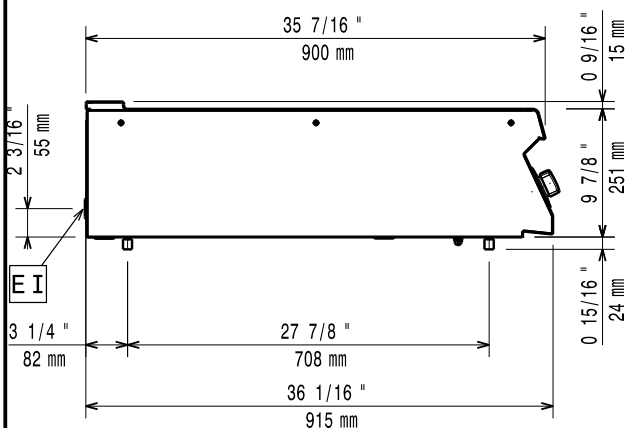


Top



EI = Electrical connection
EQ = Equipotential screw

Side



Electric

Supply voltage:
392162 (Z9INEDW00P) 400 V/3 ph/50/60 Hz
Total Watts: 5 kW

Key Information:

Back Plates dimensions: Ø 300
Induction Top Dimensions (width): 400 mm
Induction Top Dimensions (depth): 900 mm
External dimensions, Height: 250 mm
External dimensions, Width: 400 mm
External dimensions, Depth: 900 mm
Net weight: 30 kg
Induction compatible pots & pans must be used.